

DISMANTLING JOINTS

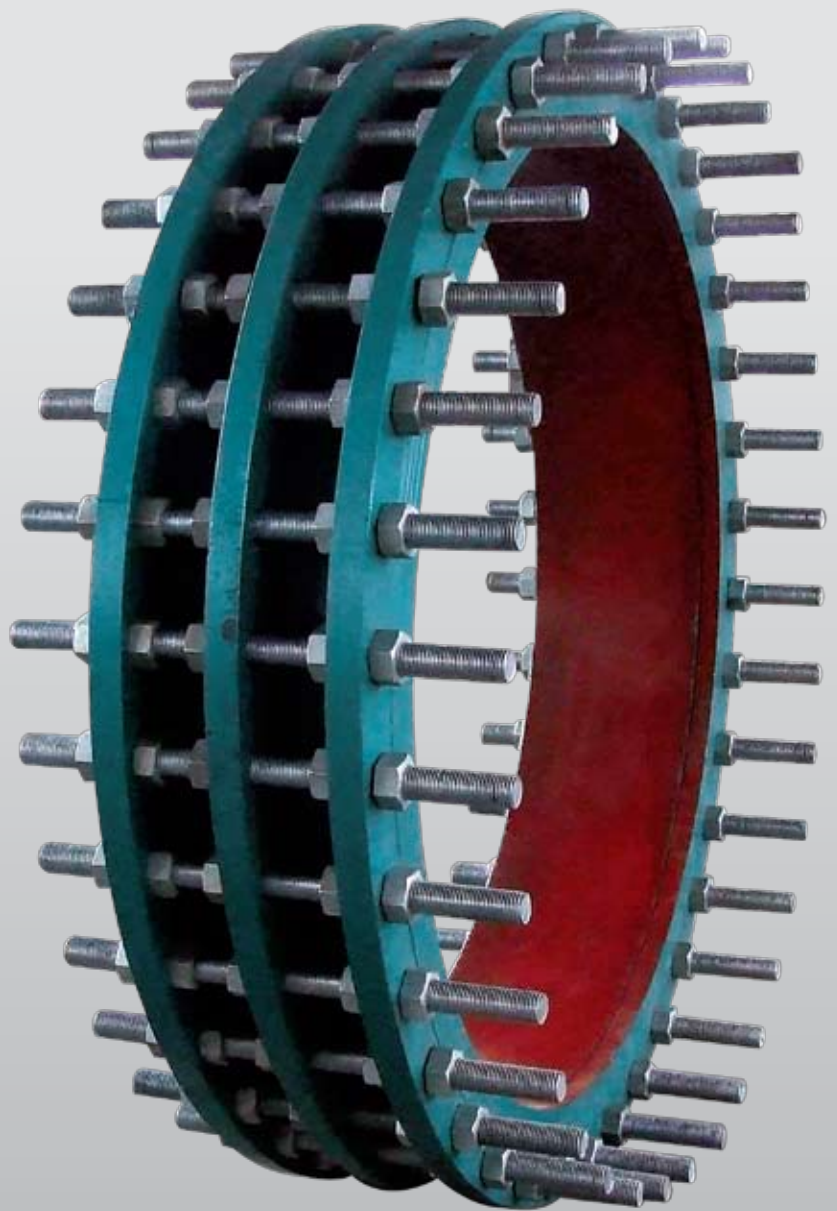
- PN6 and PN10

Features

- For water, sewage and neutral liquid applications
- Suitable for using with flanged pipes with international standard flanges
- Enables easy installation and dismantling
- Compensates the axial movement of valves, flow meters, pumps etc
- Standard gland ring (type A) or optional full stud (type B) available

Standards conformance:

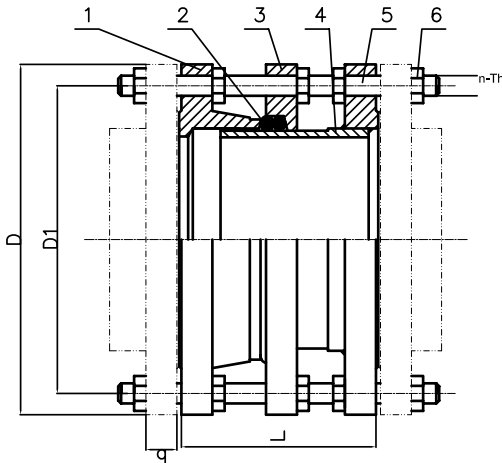
The Premier Dismantling joint conforms to all relevant sections of the BS 6755



PREMIER VALVES (Pty) Ltd

A - P.O. Box 11735, Randhart, South Africa, 1457 W - www.premiervalves.co.za
T +2711-908-3760 F +2711-908-1268 E - sales@premiervalves.co.za

DISMANTLING JOINTS



Materials of Construction

1	Body	Carbon Steel
2	Sealing	NBR
3	Cover	Carbon Steel
4	Short pipeflange	Carbon Steel
5	Bolt	Carbon Steel
6	Nut	Carbon Steel

The axial load can be transferred by the joint to protect the valve and the pump. The adjusting scope is (0-50)-(0-80)mm. The deviation of the pipe centreline is 2-4mm and the permissible declining angle degree is less the 2 degrees. The product is provided with double flanges to connect with the valve and pipeline.

DN	DW	overall dimension		flange connecting dimension									
				0.6Mpa				1.0Mpa					
		L	L1	D	D1	n-Th	b	D	D1	n-Th	b		
65	76	200	40	160	130	4-M12	16	185	145	4-M16	20		
80	89			190	150	4-M16	18	200	160	8-M16	22		
100	114			210	170			220	180		24		
125	140			240	200	8-M16	20	250	210		8-M20	26	
150	168			265	225			285	240				
200	219			320	280	22	340	295	12-M20	28			
250	273			375	335	12-M16	24	395				350	
300	325	220	50	440	395	12-M20	26	445	400	16-M20	30		
350	377			490	445			505	460			20-M24	32
400	426			540	495	16-M20	28	565	515			20-M24	32
450	480			595	550			615	565	20-M24	34		
500	530			240	60	645	600	20-M20	30	670	620	20-M24	34
600	630					755	705			20-M24	32	780	725
700	720					860	810	24-M24	34	895	840	24-M27	40
800	820	350	60	975	920	24-M27	36	1015	950	24-M30	44		
900	920			1075	1020			1115	1050	28-M30	46		
1000	1020			1175	1120	28-M27	40	1230	1160	28-M33	50		
1200	1220	370	60	1405	1340	32-M30	44	1455	1380	32-M36	56		
1400	1420			1630	1562	36-M33	48	1675	1590	36-M39	62		
1600	1620	380	60	1830	1760	40-M33	50	1915	1820	40-M45	68		
1800	1820			2045	1970	44-M36	54	2115	2020	44-M45	70		
2000	2020			2265	2180	48-M39	60	2325	2230	48-M45	74		
2200	2220	400	60	2475	2390	52-M39	62	2550	2440	52-M52	80		
2400	2420			2685	2600	56-M39	64	2760	2650	56-M52	82		
2600	2620	450	80	2905	2810	60-M45	68	2960	2850	60-M52	88		
2800	2820			3115	3020	64-M45	70	3180	3070	64-M52	94		
3000	3020			3315	3220	68-M45	76	3405	3290	68-M56	100		
3200	3220			3525	3430	72-M45							

The illustrations in this catalogue are subject to modifications without notice.

PREMIER



VALVES (Pty) Ltd

P.O. Box 11735, Randhart, South Africa, 1457
sales@premiervalves.co.za

T +2711-908-3760 F +2711-908-1268
www.premiervalves.co.za