

PREMPULP VALVES

_V-NOTCH BALL CONTROL VALVES



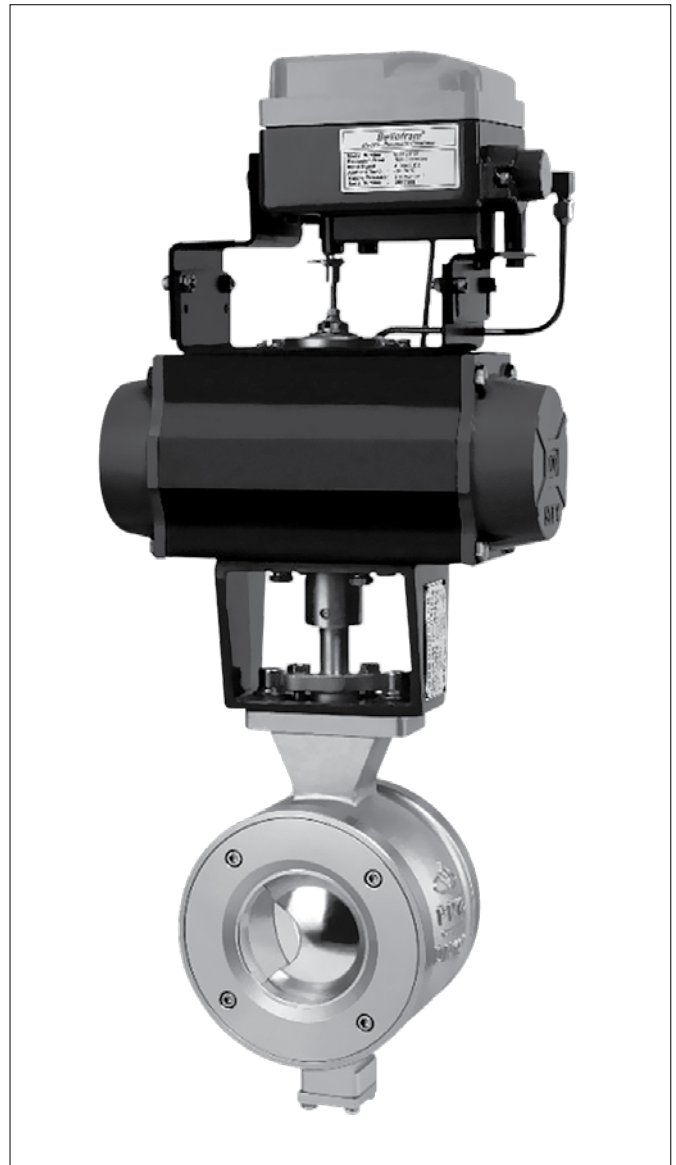
PREMIER VALVES (Pty) Ltd

A - P.O. Box 11735, Randhart, South Africa, 1457 W - www.premiervalves.co.za
T +2711-908-3760 F +2711-908-1268 E - sales@premiervalves.co.za

in association with


FLOQUIP VALVES
Registered Premier Franchisees

The V-Notch Ball valve is an advanced Control valve with 900 rotation. Because of its excellent Pressure drop and rangeability capabilities, it is used primarily as a modulating control valve. In the Paper & Pulp industry its "cutting" and self cleaning action provides extra benefits in controlling fibrous material. The V-Notch Ball Control valve has gained popularity in many industries such as Petrochemical, Power, Pharmaceutical and General Industry because of its compactness, ease of operation and hydraulic capabilities.



The Premulp V-Notch Ball control valve is a high quality valve with the following features:

Integral Valve Body

The Premulp V-Notch control valve has an integral top flange which ensures no leakage possibilities in this area.

Flexible seat

The seat of the V-Notch Ball valve is held to the ball with a spring. This results in an excellent zero leakage seal with automatic compensation for wear due to abrasion and high velocities. PTFE Soft seal or Metal seats can be provided depending on the media and temperature.

Low Flow Control

The valve has a high rangeability which allows a wide flow band for any particular valve size. For a 25mm valve different trims can be supplied to allow very low "micro" flows.

Bearings

The one-piece ball and stem are supported by dual bearings top and bottom to provide good stability. The bearing material is a composite which with excellent low friction self-lubricating properties. This prevents shaft seizure and long life performance.

The illustrations in this catalogue are subject to modifications without notice.

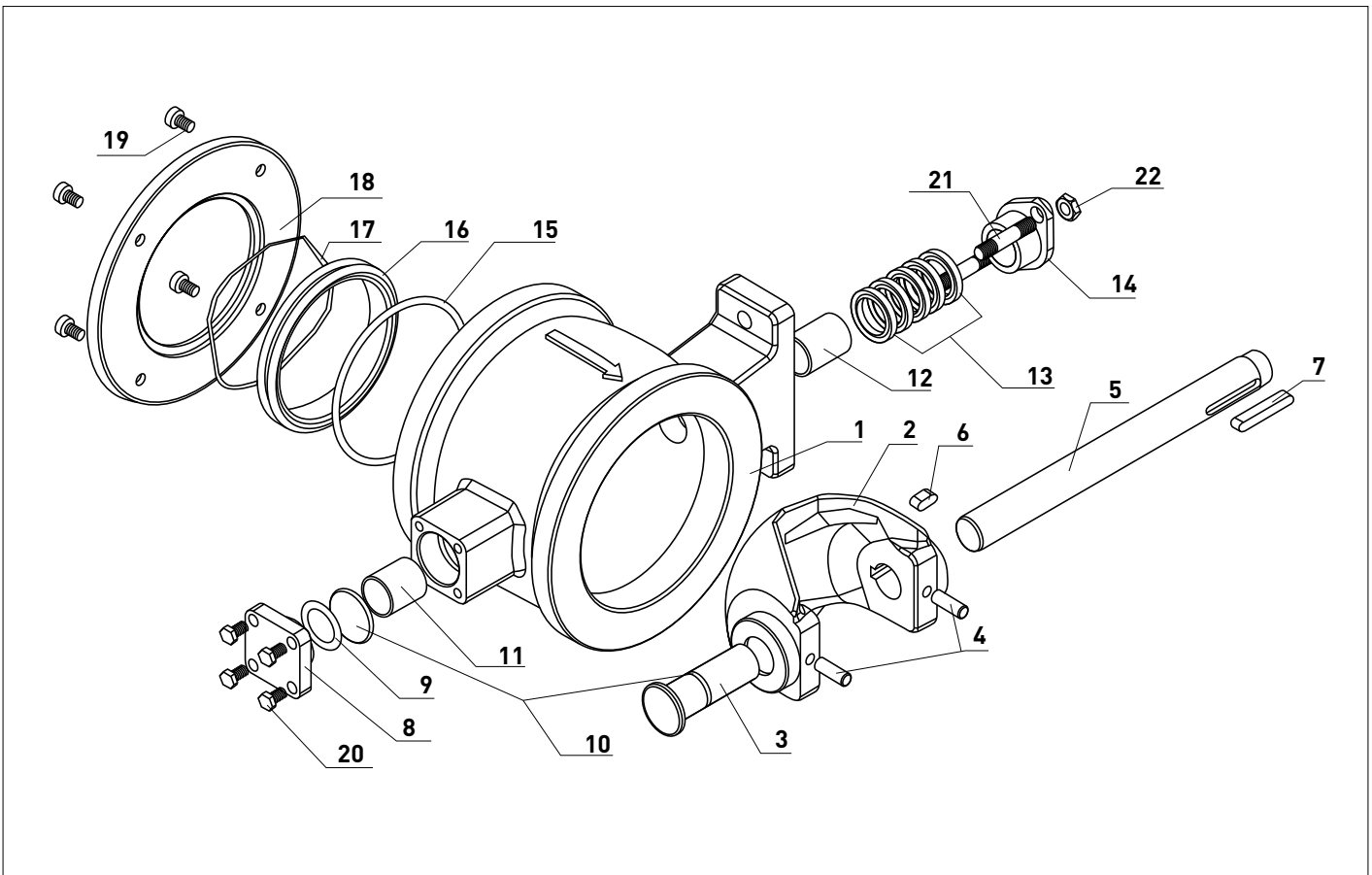
P R E M I E R

P.O. Box 11735, Randhart, South Africa, 1457
sales@premiervalves.co.za



V A L V E S (Pty) Ltd

T +2711-908-3760 F +2711-908-1268
www.premiervalves.co.za

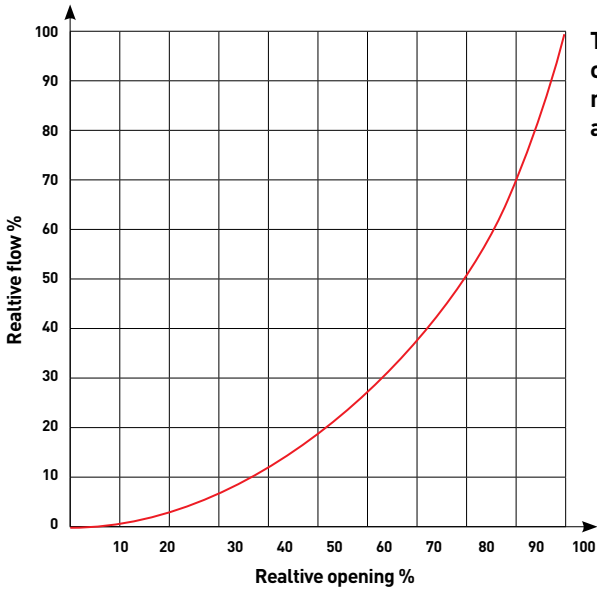


Materials of construction			
No	Name	Quantity (PCS)	Material
1	Body	1	WCB, CF8, CF8M, CF3M
2	Segment	1	304SS, 316SS
3	Stem	1	304SS, 316SS
4	Round pin	2	304SS, 316SS
5	Stem	1	304SS, 316SS
6	Flat key	1	304SS, 316SS
7	Flat key	1	304SS, 316SS
8	Blind flange	1	304SS, 316SS
9	O-ring	1	Viton
10	Gasket	1	PTFE
11	Self lubricating bearing	1	Composite material
12	Self lubricating bearing	1	Composite material
13	Packing	Group	PTFE
14	Gland follower	1	304SS
15	O-ring	1	Viton
16	Sealing seat	1	304SS, 316SS, 316SS stellite
17	Lock spring	1	316SS
18	Clamp ring	1	304SS, 316SS
19	Socket head cap bolt		304SS, 316SS
20	Hexagon bolt	4	304SS, 316SS
21	Double head screw	2	304SS, 316SS
22	Hexagon nut	2	304SS, 316SS

The illustrations in this catalogue are subject to modifications without notice.

Technical parameter	
Type:	Rotary stem motion type
Nominal diameter:	DN25, 32, 40, 50, 65, 80, 100, 125, 150, 200, 250, 300, 350, 400, 450, 500, 600
Nominal pressure:	PN1.0, PN1.6, PN2.5, PN2.5, PN4.0, PN6.4 (MPa) or ANSI150, 300, JIS10K, 20K
Type of connection:	DN25~DN250 (Wafer type), DN300~DN600 (Flange type)
Temperature range:	-40°C~150°C, -40°C~350°C
Pressure test:	The hydraulic test pressure of valve body is 1.5 times the maximum working pressure. The seal test pressure of valve core is 1.1 times the maximum working pressure. The test medium is water.

Characteristics



The inherent flow characteristic of the V type regulating ball valve has an equal percentage.

Actuator selection		
DN mm	Metal valve seat	Soft Valve seat
25	2.0ml/min	0.20ml/min
32	2.4ml/min	0.24ml/min
40	3.0ml/min	0.30ml/min
50	3.8ml/min	0.38ml/min
65	5.2ml/min	0.52ml/min
80	6.2ml/min	0.62ml/min
100	7.6ml/min	0.76ml/min
125	9.6ml/min	0.96ml/min
150	12ml/min	1.20ml/min
200	15.4ml/min	1.54ml/min
250	19.2ml/min	1.92ml/min
300	24ml/min	2.40ml/min
350	30ml/min	3.00ml/min
400	34ml/min	3.40ml/min

The illustrations in this catalogue are subject to modifications without notice.

Actuator selection							
DN mm	CV	Equipped with ZSQ actuator	Equipped with GT small actuator		Electric Unic DCL	Air supply pipe	Air supply (MPa)
			DA (double acting)	SR (single acting)			
25	27	ZSQ36-I	63	75	05	ø6x1(G1/8)	0.5~0.7
32	43	ZSQ36-I	63	75	05		
40	70	ZSQ36-I	63	83	10		
50	110	ZSQ36-I	85	92	10		
65	170	ZSQ36-I	85	92	20		
80	280	ZSQ45-I	105	105	20		
100	410	ZSQ45-I	105	125	20		
125	750	ZSQ45-I	105	125	40	ø8x1.5(G1/4)	
150	980	ZSQ45-II	125	140	40		
200	1720	ZSQ55-I	140	160	60		
250	2700	ZSQ55-II	160	210	100	ø10x2(G3/8)	
300	4100	ZSQ80-II	210	270	150		
350	6500	ZSQ80-III	270	300	200		
400	800	ZSQ130-II	300	350			
450	10500	ZSQ130-II					
500	14500	ZSQ130-III					
600	23000	ZSQ130-III					

Seal structure of V type Ball Valve

Metal seat

1 2 3 4 5 6

Flow direction →

Soft seat

1 2 3 4 5 6 7

Flow direction →

Non-closed Metal seat

1 2 3 4

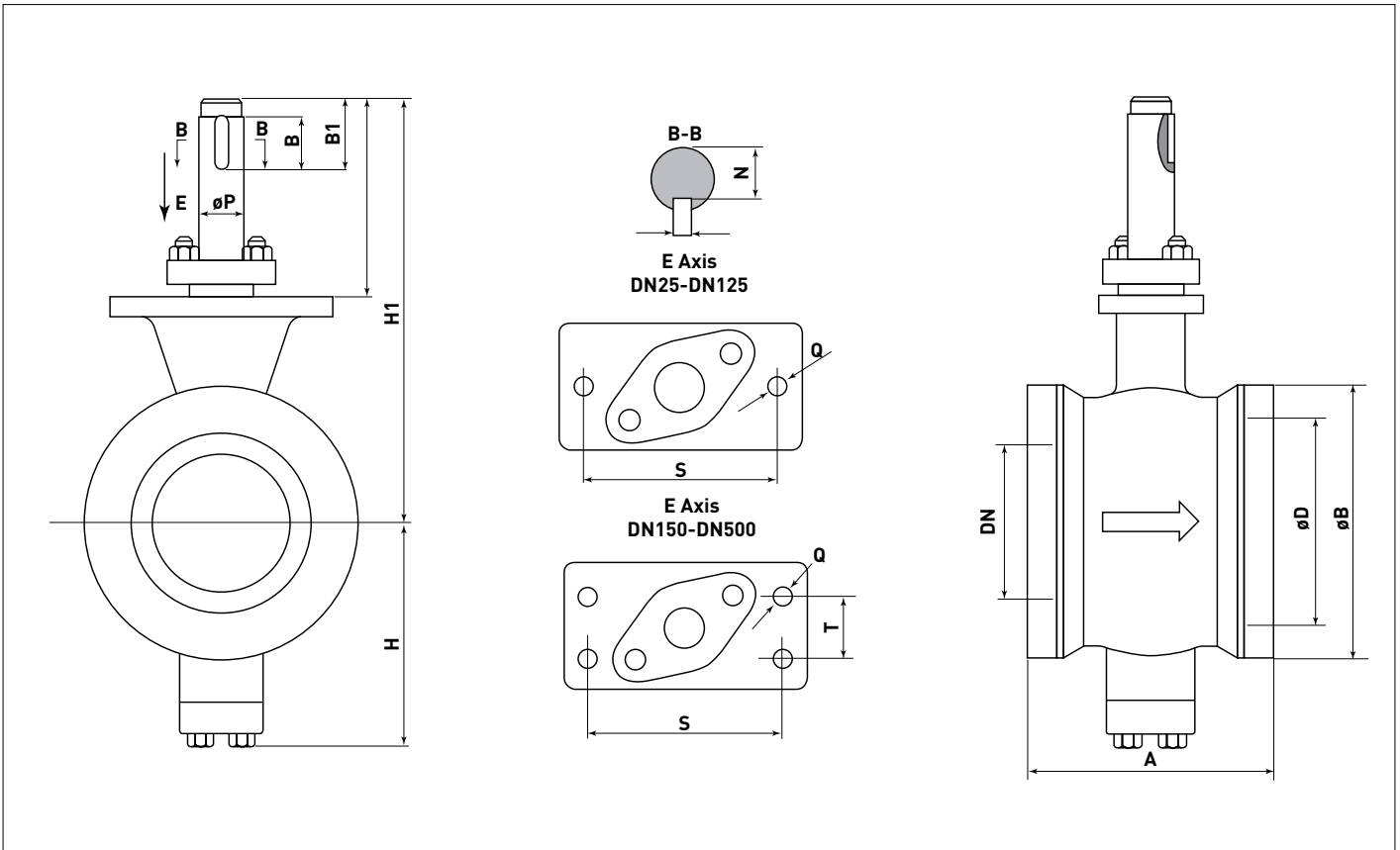
Flow direction ←

Metal seat		
No.	Name	Temp. range
1	Clamp ring	-40~150° -40~350°
2	Spring	
3	O-ring	
4	Body	
5	Sealing seat	
6	Segment	

Soft seat		
No.	Name	Temp. range
1	Clamp ring	-40~150°
2	Spring	
3	O-ring	
4	Body	
5	Sealing seat	
6	Seal ring	
7	Segment	

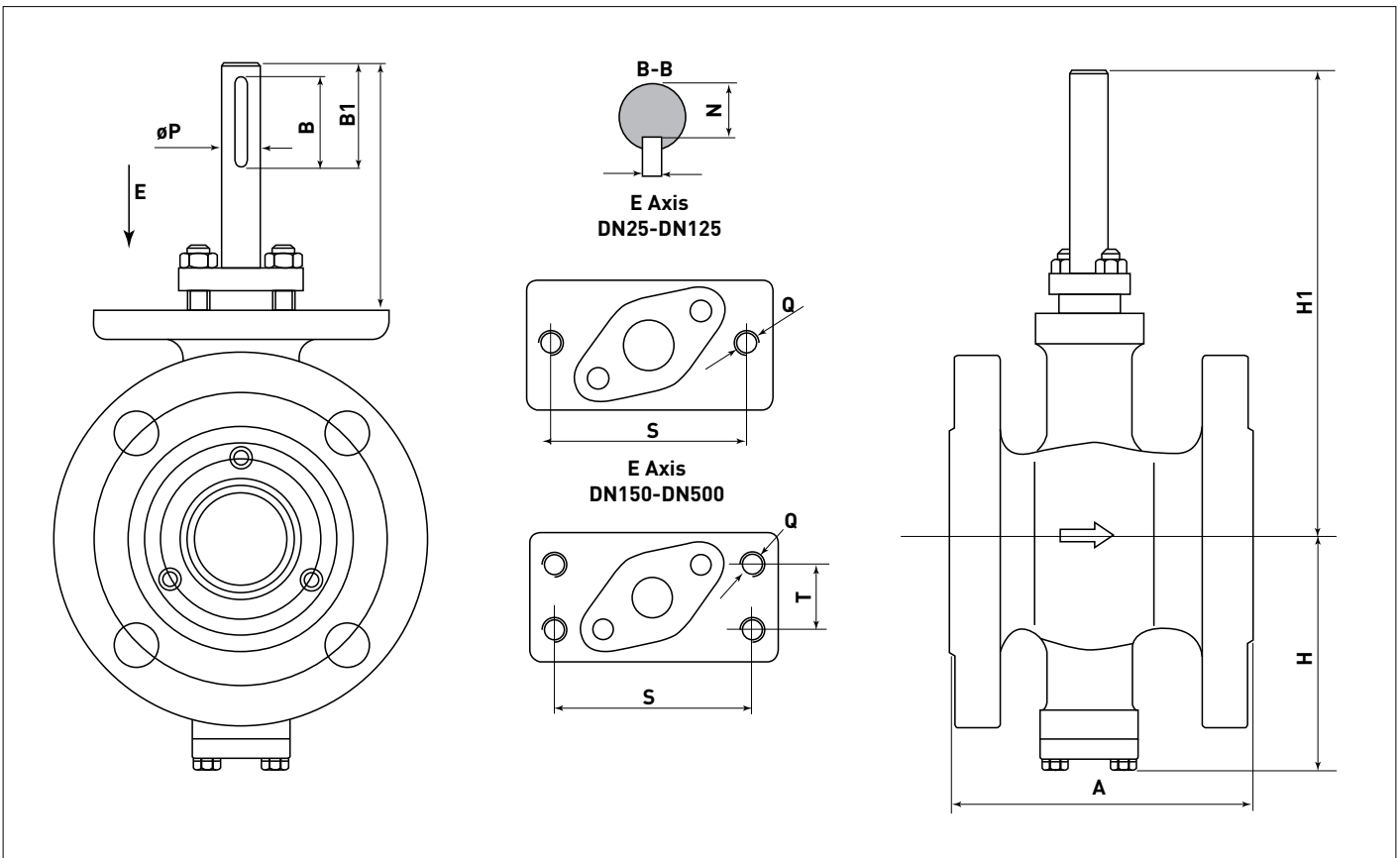
Non-closed Metal seat		
No.	Name	Temp. range
1	Clamp ring	-40~350°
2	Body	
3	Sealing seat	
4	Segment	

The illustrations in this catalogue are subject to modifications without notice.



Dimensions														
DN	Outline dimensions (mm)						Connection dimensions (mm)							
mm	H	H1	L	A	øD	øB	øP	B1	B	K	N	S	Q	T
25	87	190	115	62	38	68	16	45	35	5	13	65	M10	-
32	87	197	117	62	42	78	16	45	35	5	13	65	M10	-
40	87	200	115	62	50	85	16	45	35	5	13	65	M10	-
50	97	200	115	75	60	100	16	45	35	5	13	65	M10	-
65	112	220	110	90	75	120	16	45	35	5	13	65	M10	-
80	112	239	124	100	94	130	20	45	35	6	17	80	M12	-
100	122	252	122	115	110	158	20	50	40	6	17	80	M12	-
125	142	262	123	129	135	180	25	50	40	8	21	90	M12	-
150	165	307	128	160	165	216	30	55	40	10	25	100	M12	32
200	195	330	130	200	210	268	30	55	40	10	25	100	M12	32
250	237	380	145	240	260	325	40	75	60	12	35	110	M12	45
300	281	432	153	334	324	375	40	80	60	12	35	110	M12	45
350	338	545	199	414	372	435	50	80	60	16	44	134	M16	64
400	390	660	264	490	430	485	60	105	80	18	53	175	M20	70
450	422	700	262	580	480	545	70	105	80	20	63	190	M20	90
500	510	770	260	698	635	687	80	105	80	22	70	215	M20	96

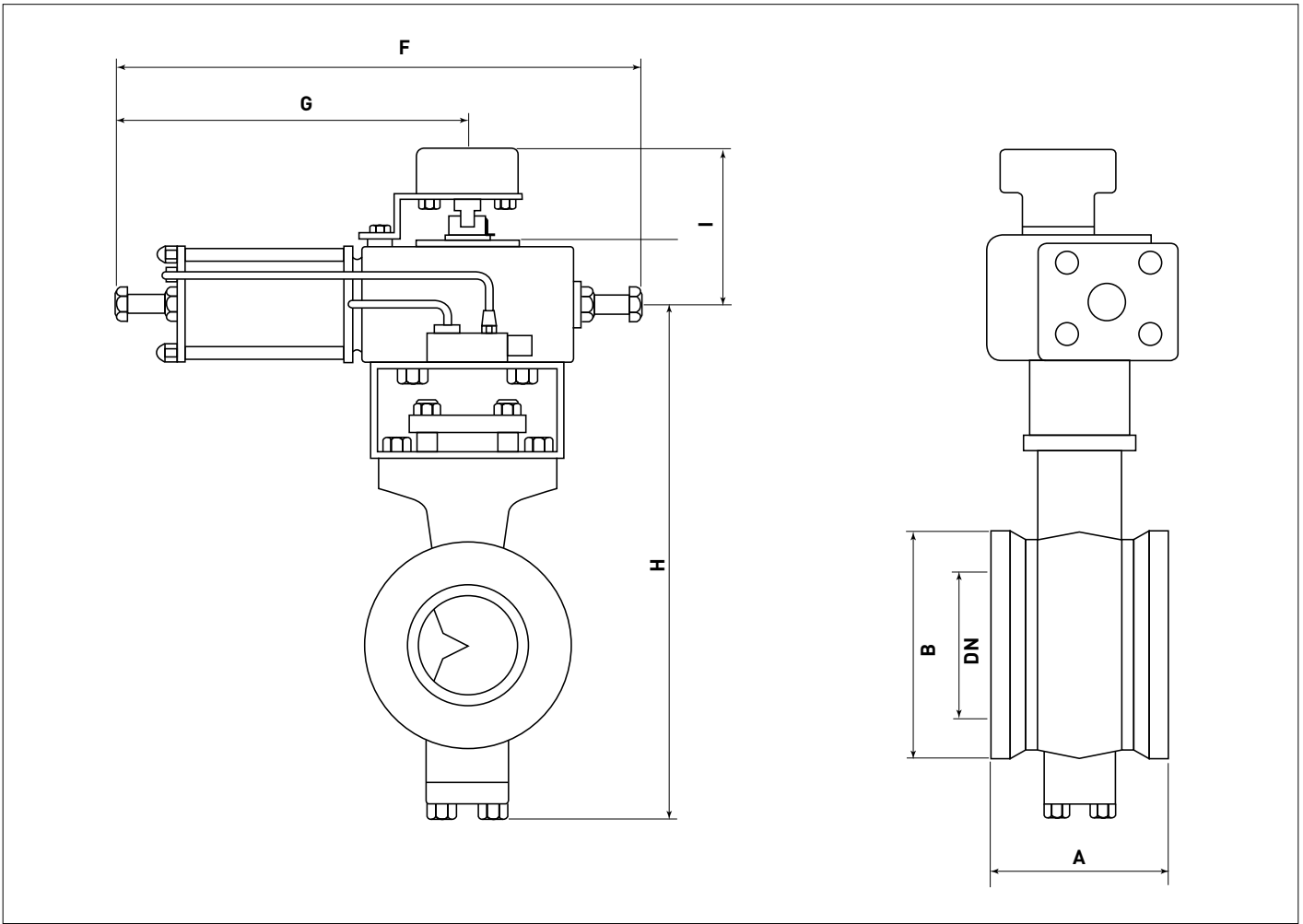
The illustrations in this catalogue are subject to modifications without notice.



Dimensions

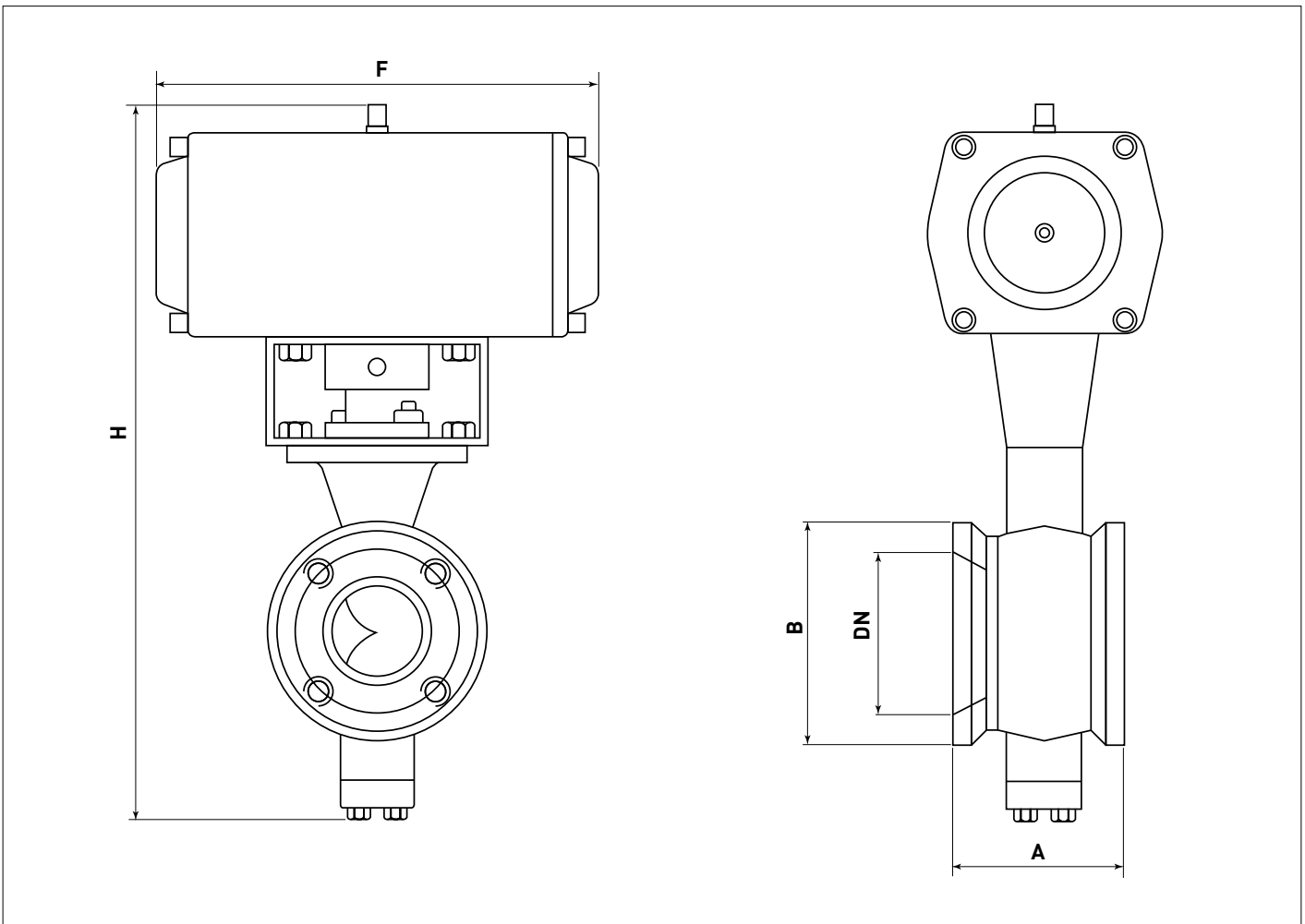
DN mm	Outline dimensions (mm)						Connection dimensions (mm)							
	H	H1	L	A	øD	øB	øP	B1	B	K	N	S	Q	T
25	87	190	115	102	38	68	16	45	35	5	13	65	M10	-
32	87	197	117	102	42	78	16	45	35	5	13	65	M10	-
40	87	200	115	114	50	85	16	45	35	5	13	65	M10	-
50	97	200	115	124	60	100	16	45	35	5	13	65	M10	-
65	112	220	110	145	75	120	16	45	35	5	13	65	M10	-
80	112	239	124	165	94	130	20	45	35	6	17	80	M12	-
100	122	252	122	194	110	158	20	50	40	6	17	80	M12	-
125	142	262	123	194	135	180	25	50	40	8	21	90	M12	-
150	165	307	128	229	165	216	30	55	40	10	25	100	M12	32
200	195	330	130	243	210	268	30	55	40	10	25	100	M12	32
250	237	380	145	297	260	325	40	75	60	12	35	110	M12	45
300	281	432	153	338	324	375	40	80	60	12	35	110	M12	45
350	338	545	199	400	372	435	50	80	60	16	44	134	M16	64
400	390	660	264	400	430	485	60	105	80	18	53	175	M20	70
450	422	700	262	457	480	545	70	105	80	20	63	190	M20	90
500	510	770	260	508	635	687	80	105	80	22	70	215	M20	96

The illustrations in this catalogue are subject to modifications without notice.



Main outline dimensions of Pneumatic Segment Valve (mm)							
DN (mm)	B	A	F	G	H	I	Weight (Kg)
25	68	62	375	260	375	205	15
32	78	62	375	260	390	205	16
40	85	62	375	260	400	205	17
50	100	75	375	260	420	205	18
65	120	90	375	260	450	205	20
80	130	100	435	300	465	205	23
100	158	115	435	300	480	205	30
125	180	129	435	300	515	205	35
150	216	160	435	300	670	205	50
200	268	200	540	380	710	255	80
250	325	240	540	380	770	255	110
300	460	334	700	490	970	285	200
350	520	414	965	490	1050	285	280
400	580	490	965	660	1100	285	400
450	640	580	965	660	1100	350	500
500	705	690	965	660	1200	350	700
600	810	750	965	660	1380	350	850

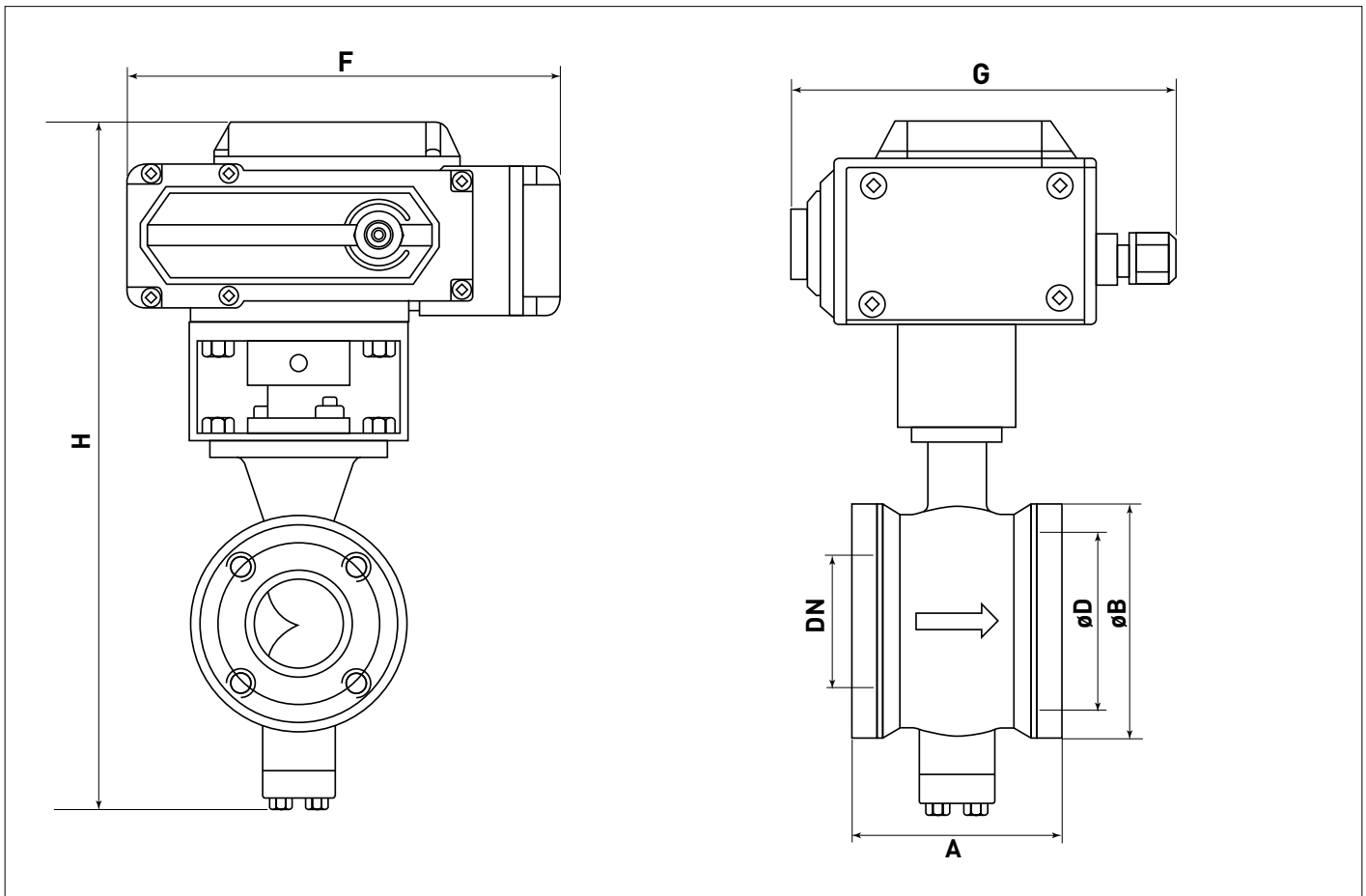
The illustrations in this catalogue are subject to modifications without notice.



Main outline parameters of Small Pneumatic Segment Valve (mm)

DN/Code	B	A	F	H	Weight (mm)
25	68	62	178	320	11
32	78	62	178	360	12
40	85	62	178	400	13
50	100	75	214	450	14
65	120	90	246	450	16
80	130	100	246	465	18
100	158	115	295	500	19
125	180	129	340	550	23
150	216	160	398	610	35
200	268	200	478	710	57
250	325	240	562	850	95
300	460	334	928	950	120
350	520	414	1033	1050	180
400	580	490	1129	1300	205

The illustrations in this catalogue are subject to modifications without notice.



Main outline parameters of Electric Segment Valve (mm)					
DN/Code	B	A	H	F	G
25	68	62	394	158	140
32	78	62	401	158	140
40	85	62	410	207	147
50	100	75	433	207	147
65	120	90	472	207	147
80	130	100	520	265	182
100	158	115	530	265	182
125	180	129	576	265	182
150	216	160	600	265	182
200	268	200	678	265	182
250	325	240	770	380	240
300	440	334	850	380	240
350	520	414	980	380	240
400	580	490	1084	380	240

The illustrations in this catalogue are subject to modifications without notice.