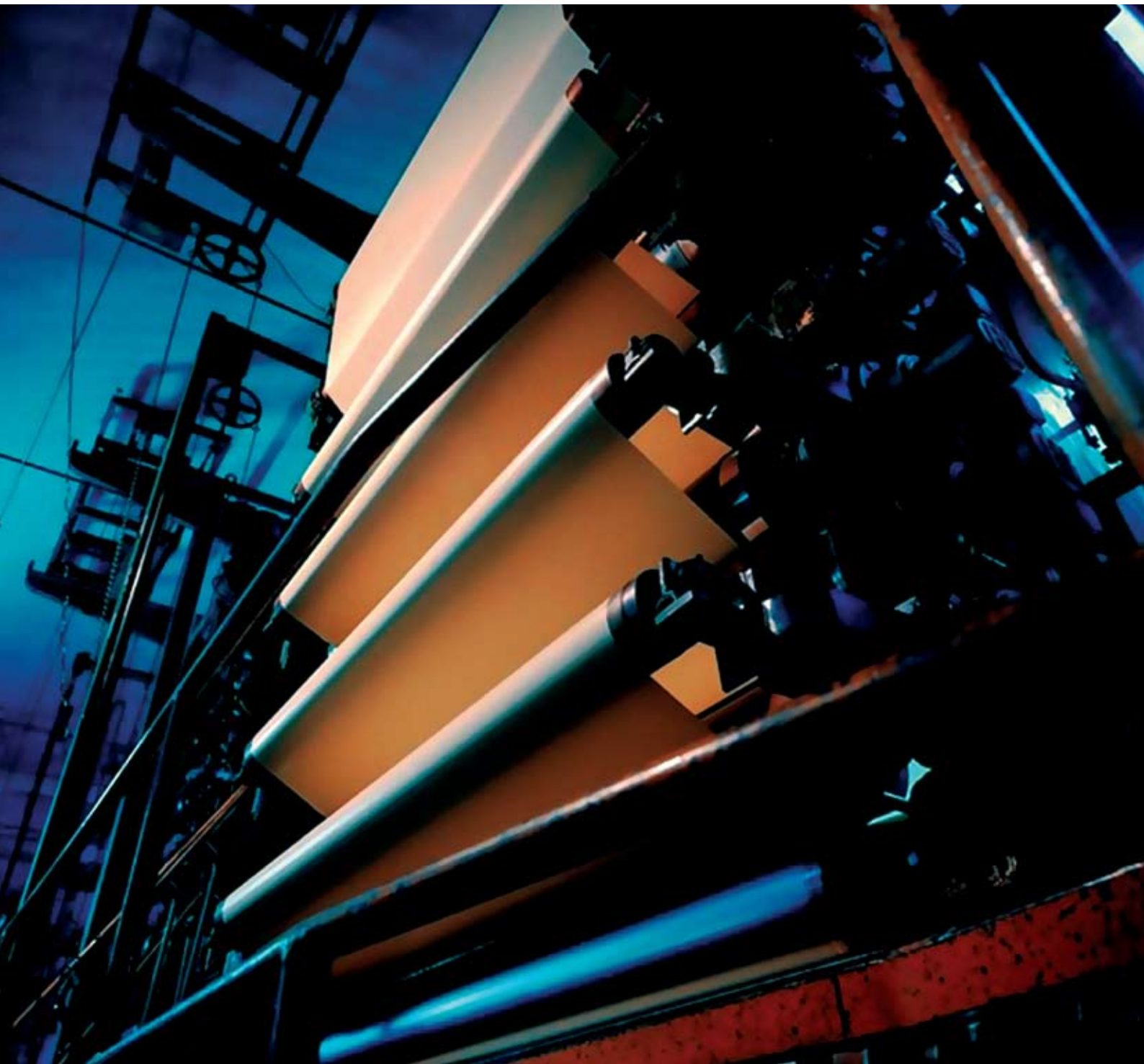


PREMPULP VALVES

_KNIFE GATE VALVES



PREMIER VALVES (Pty) Ltd

A - P.O. Box 11735, Randhart, South Africa, 1457 W - www.premiervalves.co.za
T +2711-908-3760 F +2711-908-1268 E - sales@premiervalves.co.za

in association with


FLOQUIP VALVES
Registered Premier Franchisees

Knife Gate valves have become very popular for handling Slurries and Fibrous Media, and particularly in the Pulp and Paper Industry where they have the ability to “cut” through the medium to attain a seal. This is in fact how the Valves originally got their name.

Knife Gate Valves have short face to face dimensions which make them convenient to install in Plants where space is at a premium. They are also easy to actuate with either Pneumatic, Electric or Hydraulic Actuators which makes them ideal for Plant automation.

Available with:
Polyurethane Lining
Seat protection cone



The Prempulp Knife gate valve is a high quality Knife gate with the following features:

Removable seal

The seal is easily replaceable and makes on-site maintenance easy. The sealing is available with either a metal to metal seal or a soft seal in PTFE. An O-Ring behind the seal carriage provides a pre-loading on the seal to ensure a tight seal. This function also provides compensation for long term wear and prolongs valve life.

Blade

The bottom of the body and blade are shaped to provide a strong cutting action which is especially useful for the control of Paper pulp. The disc is Chrome plated after fine grinding which provides good anti-abrasive and anti-corrosive properties.

Full Bore Design

The valve outlet is of full bore design and the flow path is such that no slurry will fill up the groove due to a flushing action during closing. This design also ensures full support of the blade throughout its stroke.

Adjustable Gland seal

The gland seal around the blade is of the stuffing box design and can easily be repacked without removing the valve from the pipeline. This greatly reduces maintenance down time.

Double bearing

The valve stem has a double bearing in the topworks which greatly reduces operating torque.

The illustrations in this catalogue are subject to modifications without notice.

PREMIER

P.O. Box 11735, Randhart, South Africa, 1457
sales@premiervalves.co.za

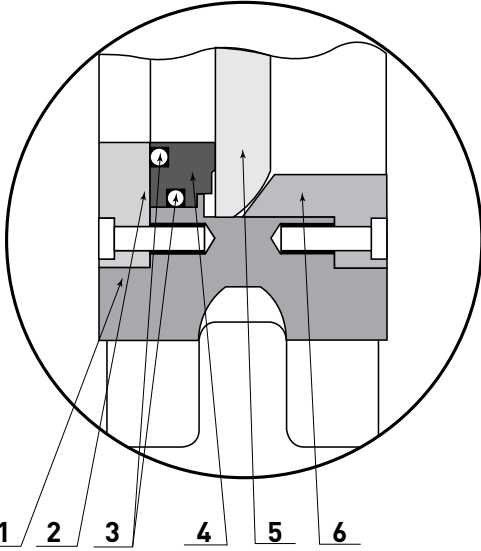


VALVES (Pty) Ltd

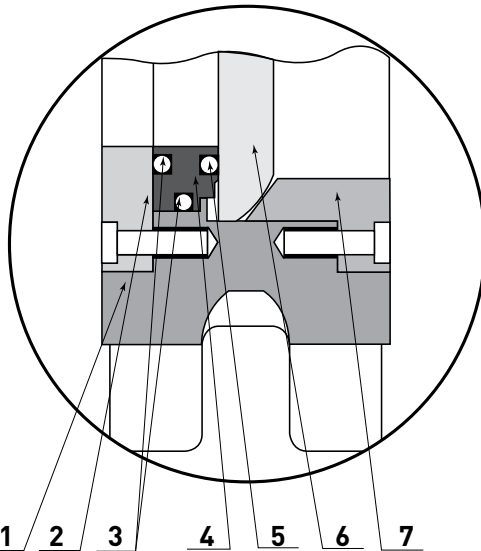
T +2711-908-3760 F +2711-908-1268
www.premiervalves.co.za

Straight Stroke Cut-Off Valve

Nominal diameter:	DN50, DN65, DN100, DN125, DN150, DN200, DN250, DN300, DN350, DN400, DN450, DN500, DN600
Nominal pressure:	1.0MPa, 1.6MPa
Type of connection:	Wafer type
Temperature range:	-40°C~150°C
Suitable media:	Paper pulp, sewage, coal slurry, syup, slurry and slag etc
Sizes available:	DN50 to DN1000

**Metal Seal Valve Seat**

No	Name	Temperature range
1	Body	-40°C~150°C
2	Seat retaining plate	
3	O-Ring	
4	Seat	
5	Blade	
6	Wedge guide	

**Soft Seal Valve Seat**

No	Name	Temperature range
1	Body	-40°C~100°C
2	Seat retaining plate	
3	O-Ring	
4	Seat	
5	PTFE	
6	Blade	
7	Wedge guide	

The illustrations in this catalogue are subject to modifications without notice.

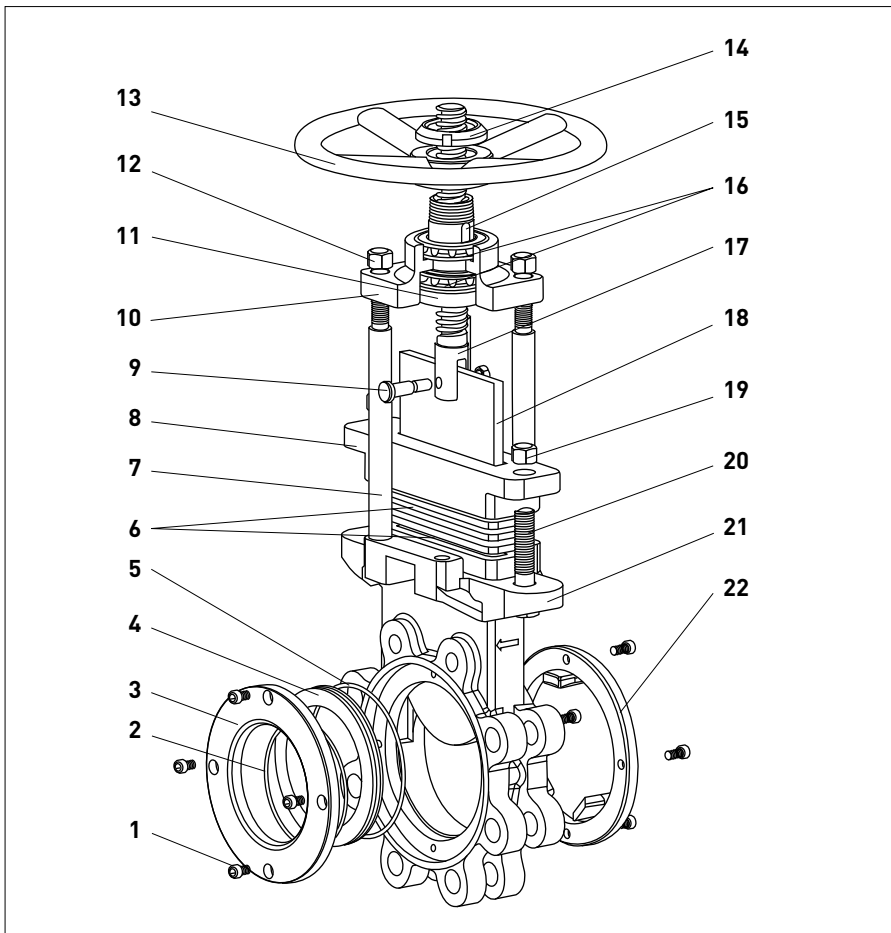
PREMIER

P.O. Box 11735, Randhart, South Africa, 1457
sales@premiervalves.co.za



VALVES (Pty) Ltd

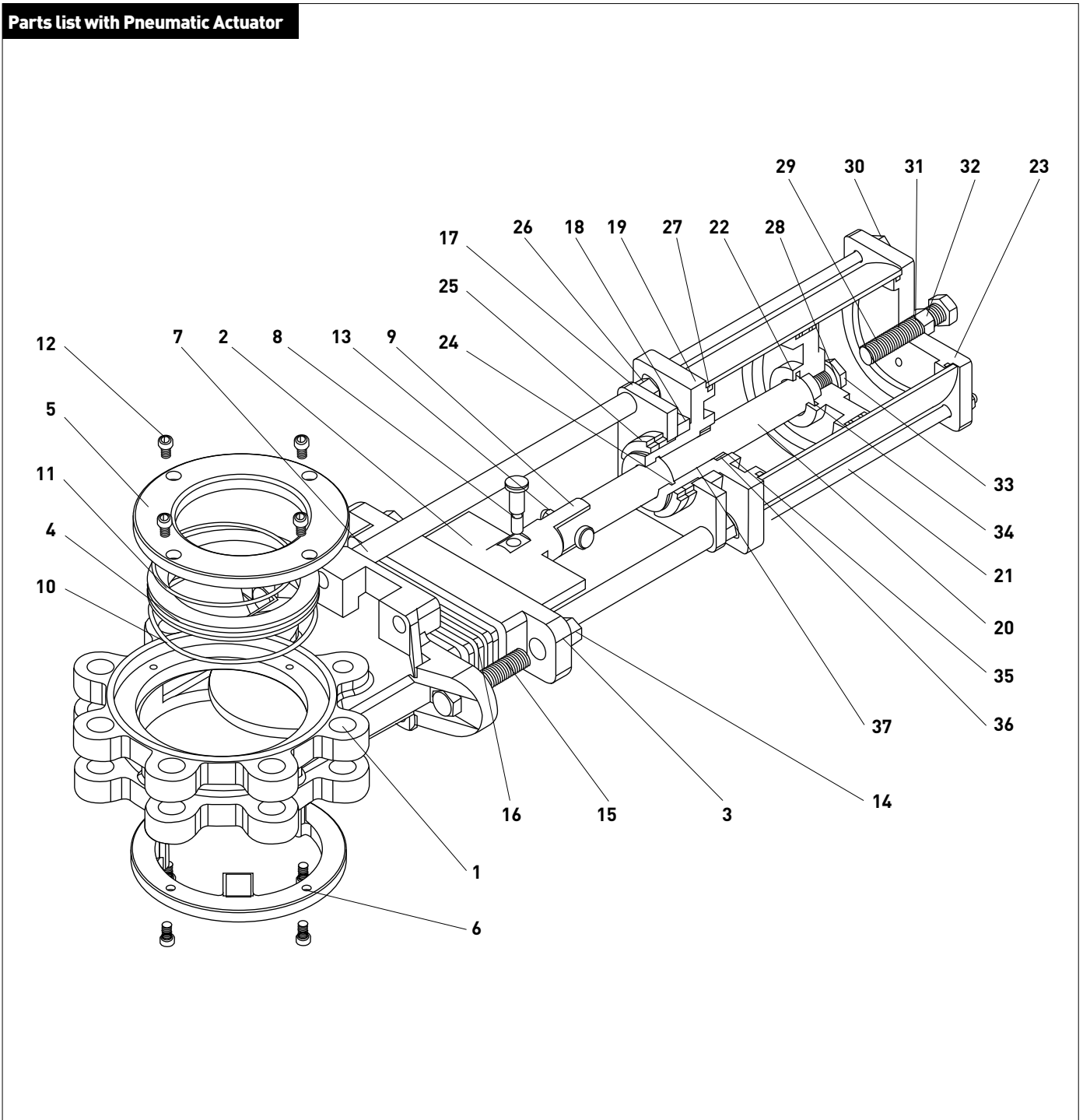
T +2711-908-3760 F +2711-908-1268
www.premiervalves.co.za



Materials of construction			
No	Name	Quantity (PCS)	Material
1	Valve seat	1	304, 316, 316L
2	Cover os sealing seat	1	304
3	Wedge guide	1	304
4	Carriage	1	304
5	Blade	1	304, 316, 316L +Hard chromium plating
6	Gland packing	Group	Soft graphite packing, PTEF packing
7	Pillar	4	304
8	Gland follower	1	304
9	Connection Pin	1	304
10	Plate	1	304
11	Transmission nut	1	Zh62
12	Hexagon nut	4	304
13	Handwheel	1	Punched steel plate
14	Round nut	1	45
15	Key-way	1	35, 45
16	Plane bearings	2	
17	Spindle	1	304
18	O-Ring	1	Flourine rubber
19	Hexagon nut	2	304
20	Hexagon bolt	2	304
21	Inner hexagonal bolt	As per requirements	304
22	O-Ring	1	Flourine rubber

The illustrations in this catalogue are subject to modifications without notice.

Parts list with Pneumatic Actuator



The illustrations in this catalogue are subject to modifications without notice.



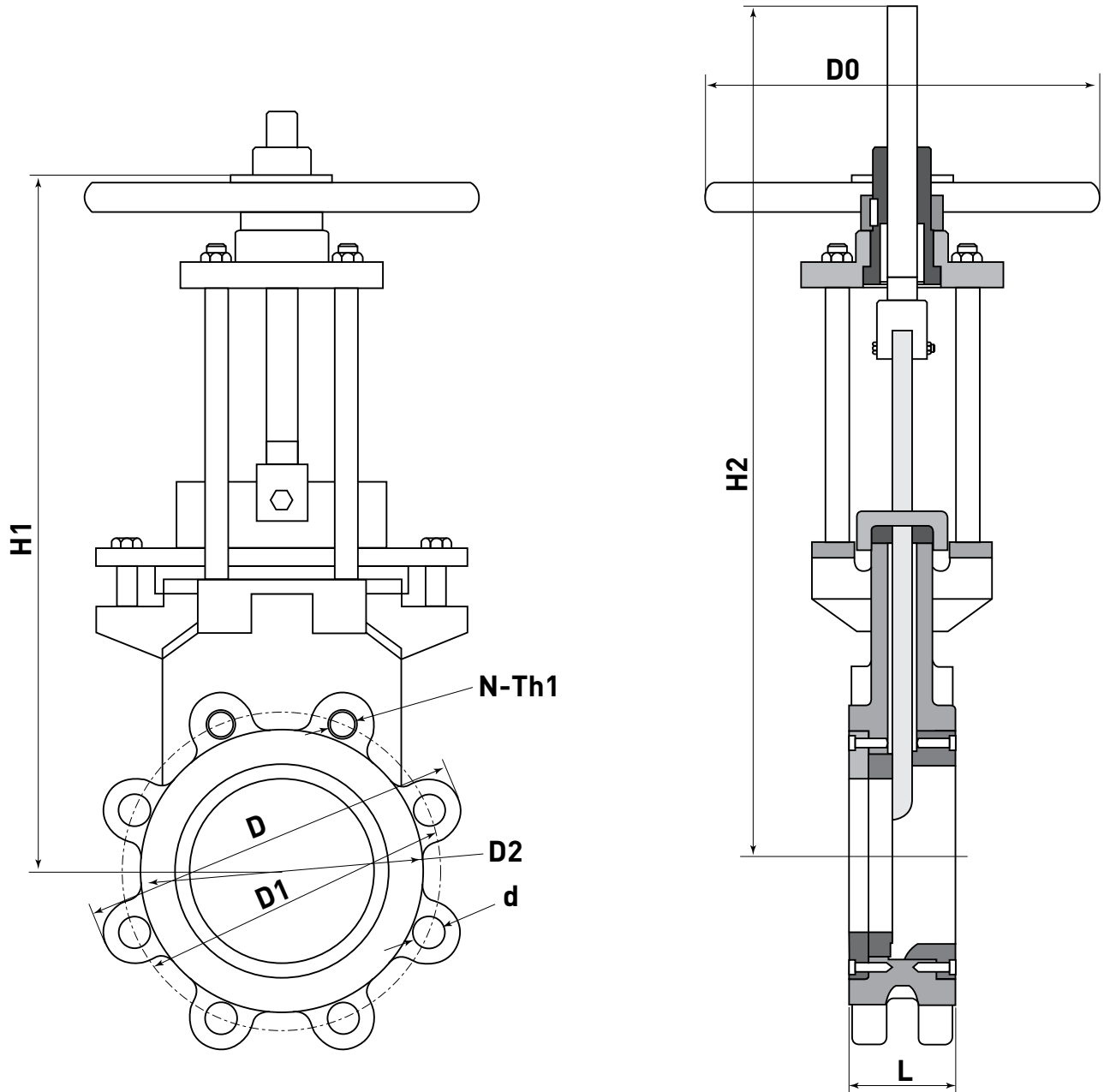
Parts list with Pneumatic Actuator cont'd

Parts list			Valve Body Part
No	Name	Quantity (PCS)	Material
1	Valve seat	1	304, 316, 316L
2	Blade	1	304, 316, 316L +Hard chromium plating
3	Gland follower	1	304
4	Seat carriage	1	304
5	Cover of sealing seat	1	304
6	Wedge	1	304
7	Pillar	4	304
8	Connection Pin	1	304
9	Connection cover	1	304
10	O-Ring	1	NBR
11	O-Ring	1	NBR
12	Inner hexagonal bolt	As per requirements	304
13	Hexagon nut	1	304
14	Hexagon nut	2	304
15	Hexagon nut	2	304
16	Gland packing	Group	Soft graphite packing, PTEF packing

Parts list			Actiator Part
No	Name	Quantity (PCS)	Material
17	End plate	1	A3
18	Cushion Block	1	45#
19	Lower cylinder cover	1	ZG25
20	Cylinder shaft	1	45#+Hard chromium plating
21	Connection rod	4	45#
22	Piston	1	ZI102
23	Upper cylinder cover	1	ZG25
24	O-Ring	1	NBR
25	Round nut	2	304
26	External hexagon nut	4	Q235
27	O-Ring	1	NBR
28	Flat cushion	1	304
29	Adjusting bolt	1	Q235
30	Round head nut	4	Q235
31	Sealing spacer	1	PTFE
32	Hexagon nut	1	Q235
33	Hexagon nut	1	Q235
34	O-Ring	1	NBR
35	Flexible retaining ring	1	30
36	Y-ring	1	TPU/Polyurethane TPU
37	Boundary lubricating body	1	Composite material

The illustrations in this catalogue are subject to modifications without notice.

Main Dimensions of Manual Gate Valve



The illustrations in this catalogue are subject to modifications without notice.



Main Dimensions of Manual Gate Valve cont'd

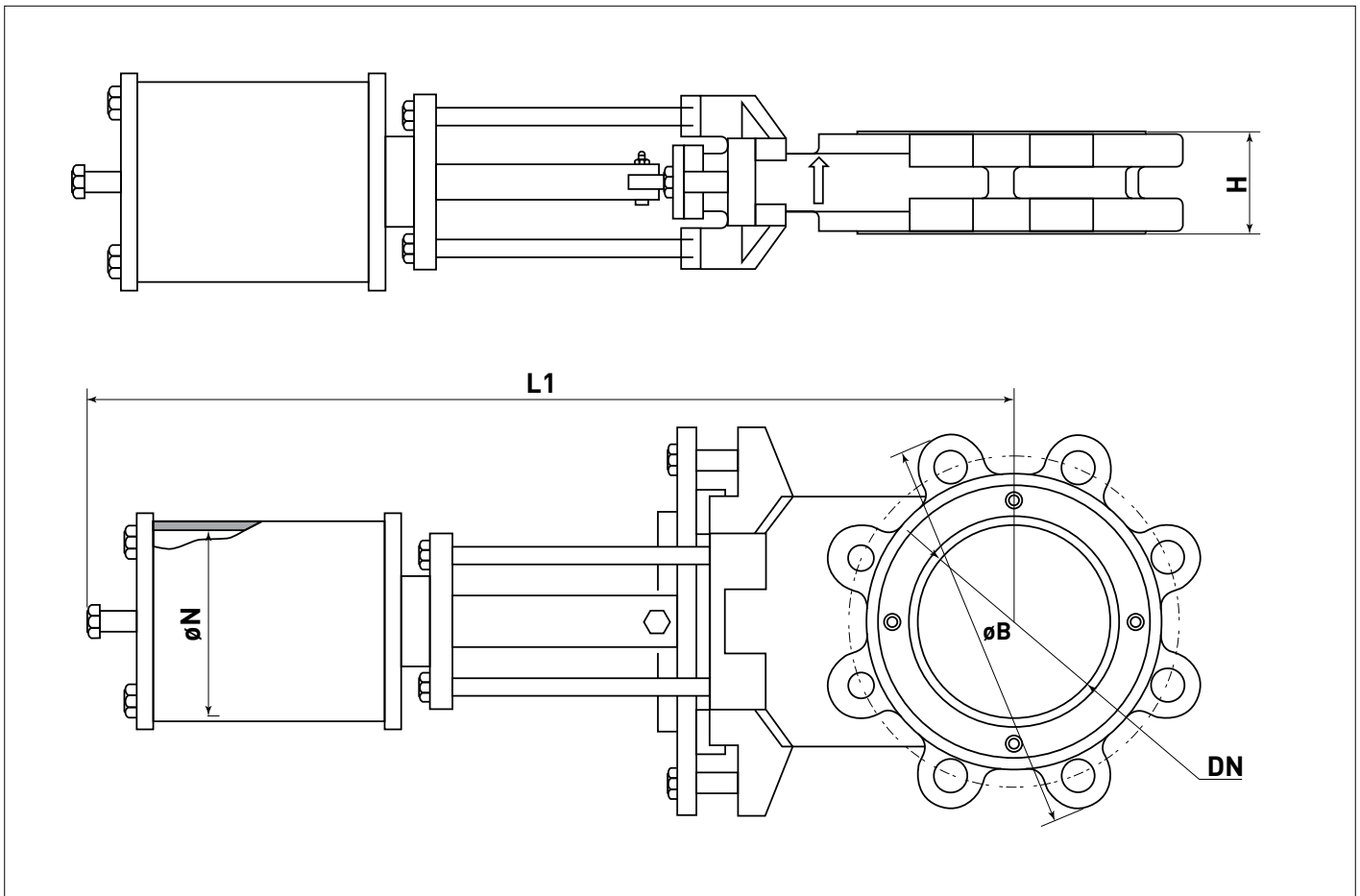
Nominal pressure of valve body PN 1.0MPa							Model: SDDC-10			
DN	Size					Hole number of flanges	d	Full close	Full open	Mass
mm	L	D	D1	D2	D0	N-Th		H1	H2	Kg
50	49	165	125	99	180	4-M10	ø18	300	350	10
65	55	185	145	118	200	4-M10	ø18	310	375	11
80	55	200	160	132	220	8-M16Blind hole2-M16Depth15	ø18	373	453	14
100	55	220	180	156	240	8-M16Blind hole2-M16Depth15	ø18	420	520	16
125	62	250	210	184	260	8-M16Blind hole2-M16Depth15	ø18	460	585	24
150	62	285	240	212	280	8-M20Blind hole2-M20Depth15	ø23	510	660	29
200	72	340	295	266	300	8-M20Blind hole2-M20Depth15	ø23	610	810	44
250	72	395	350	319	340	12-M20Blind hole4-M20Depth18	ø23	765	1015	68
300	76	445	400	370	380	12-M20Blind hole4-M20Depth18	ø23	820	1120	101
350	78	505	460	430	400	16-M20Blind hole6-M20Depth18	ø23	970	1320	127
400	90	656	515	480	450	16-M24Blind hole6-M24Depth18	ø27	1024	1424	177
450	95	615	565	530	530	20-M24Blind hole10-M24Depth22	ø27	1235	1685	290
500	115	670	620	600	600	20-M24Blind hole10-M24Depth22	ø27	1286	1786	382

Available in sizes up to 1000mm

Nominal pressure of valve body PN 1.6MPa							Model: SDDC-16			
DN	Size					Hole number of flanges	d	Full close	Full open	Mass
mm	L	D	D1	D2	D0	N-Th		H1	H2	Kg
50	49	165	125	99	180	4-M10	ø18	300	350	10
65	55	185	145	118	200	4-M10	ø18	310	375	11
80	55	200	160	132	220	8-M16Blind hole2-M16Depth15	ø18	373	453	14
100	55	220	180	156	240	8-M16Blind hole2-M16Depth15	ø18	420	520	16
125	62	250	210	184	260	8-M16Blind hole2-M16Depth15	ø18	460	585	24
150	62	285	240	211	280	8-M20Blind hole2-M20Depth15	ø23	510	660	29
200	72	340	295	266	300	8-M20Blind hole2-M20Depth15	ø23	610	810	44
250	72	405	322	319	340	12-M20Blind hole4-M20Depth18	ø23	765	1015	68
300	76	460	410	370	380	12-M20Blind hole4-M20Depth18	ø23	820	1120	101
350	78	520	470	429	400	16-M20Blind hole6-M20Depth18	ø23	970	1320	127
400	90	580	525	480	450	16-M24Blind hole6-M24Depth18	ø27	1024	1424	177
450	95	640	585	548	530	20-M24Blind hole10-M24Depth22	ø27	1235	1685	290
500	115	725	650	609	600	20-M24Blind hole10-M24Depth22	ø27	1286	1786	382

Available in sizes up to 1000mm

The illustrations in this catalogue are subject to modifications without notice.



Dimensions with Pneumatic Actuator

DN	øB	øN	L1	H
50	100	80	430	49
65	120	80	465	55
80	200	100	592	55
100	216	100	640	55
125	245	135	715	62
150	280	135	811	62
200	340	160	955	72
250	405	200	1200	72
300	460	250	1322	76
350	500	300	1537	78
400	540	300	1805	90
450	632	350	2200	95
500	690	350	2600	115
600	795	400	2960	120

The illustrations in this catalogue are subject to modifications without notice.